

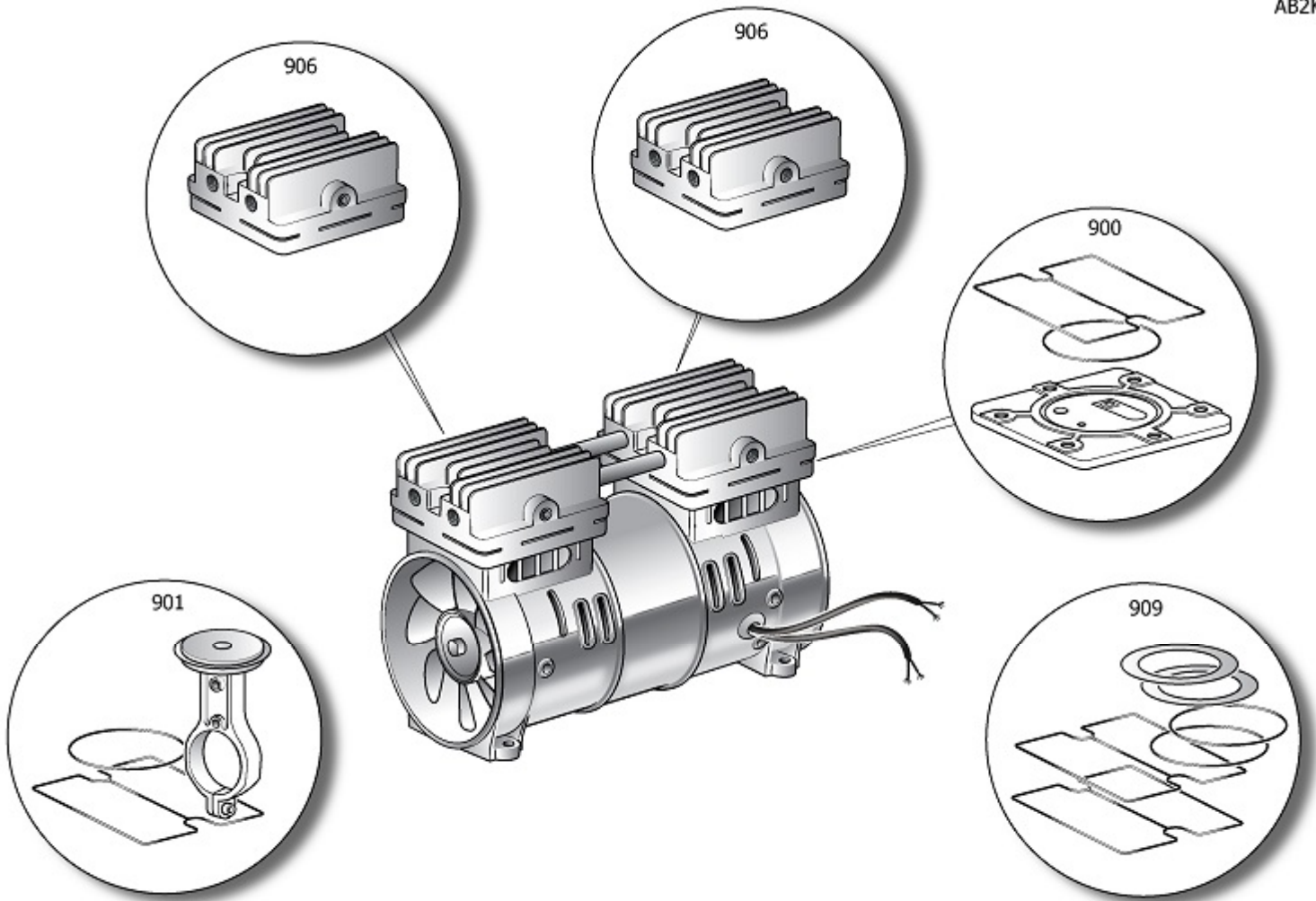


B2BB104BND359

BD 100/6-ST

| Pos | Component | MU | Multiplier |
|-----|-----------|--------------------------|------------|
| 23 | 9430200 | AIR FILTER ASSEMBLY | PZ 1,0 |
| 51 | 9430219 | MOTOR FAN COVER | PZ 1,0 |
| 80 | 9430201 | CONDENSER | PZ 1,0 |
| 110 | 9049190 | RELIEF VALVE | PZ 1,0 |
| 132 | 9430202 | POWER CABLE | PZ 1,0 |
| 200 | 9417745 | BARE PUMP | PZ 1,0 |
| 300 | 9430203 | WHEELS/FEET MOUNTING KIT | PZ 1,0 |
| 914 | 9430236 | CONVEYOR KIT | PZ 1,0 |
| 990 | 9430204 | KIT INSTRUMENTS | PZ 1,0 |
| 991 | 9430205 | KIT SENDING PIPE | PZ 1,0 |
| 992 | 9430206 | KIT NOT RETURN VALVE | PZ 1,0 |
| 998 | 9430207 | KIT DAMPERS | PZ 1,0 |

AB2KT





PUMP OL110 4P 2

BARE PUMP

| Pos | Component | | MU | Multiplier |
|-----|-----------|------------------------------|----|------------|
| 900 | 9434A37 | MPK VALVE PLATE OL110 (Q2) | PZ | 1,0 |
| 901 | 9434B36 | MPK CONROD ASS.LY OL110 (Q2) | PZ | 1,0 |
| 906 | 9430220 | MPC HEAD LF SILTEK | PZ | 1,0 |
| 906 | 9430221 | MPC HEAD RG SILTEK | PZ | 1,0 |
| 909 | 9434F37 | MPK GASKETS+SEALS OL110 (Q2) | PZ | 1,0 |